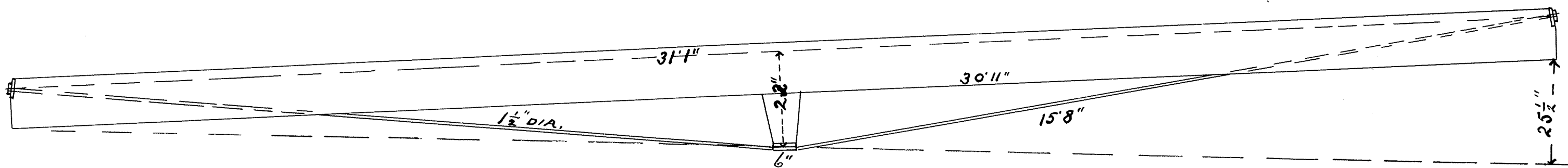
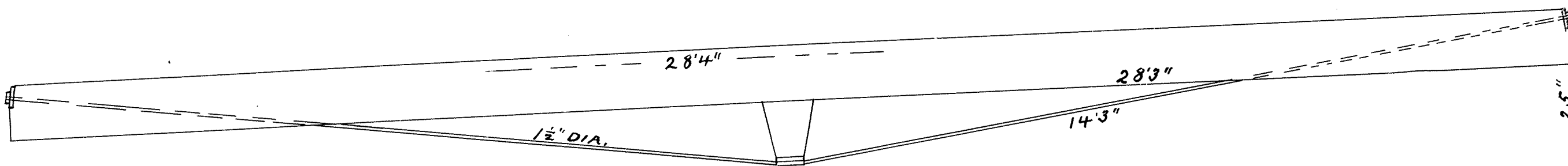
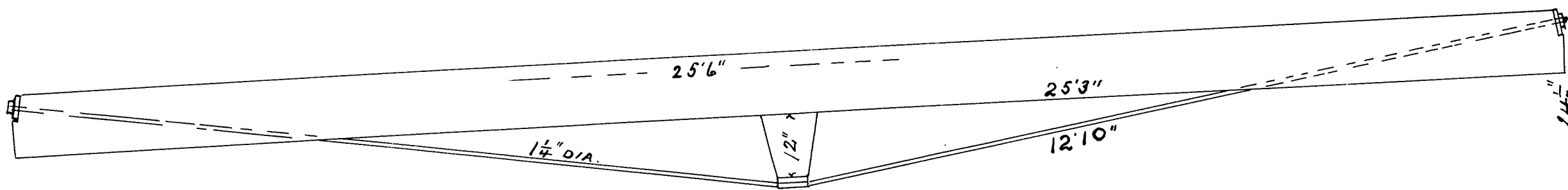
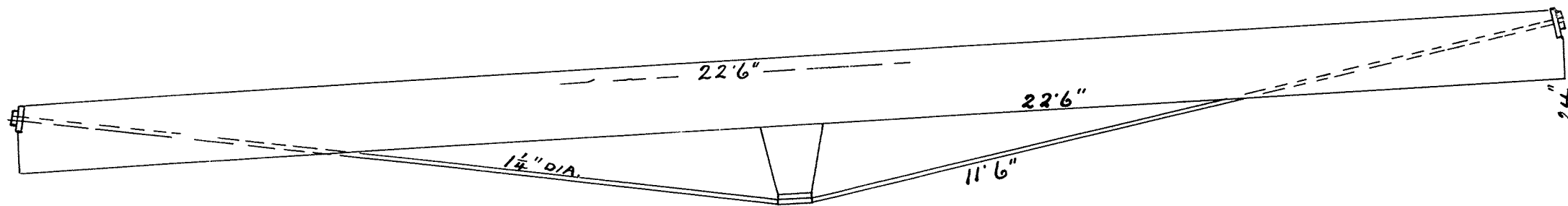
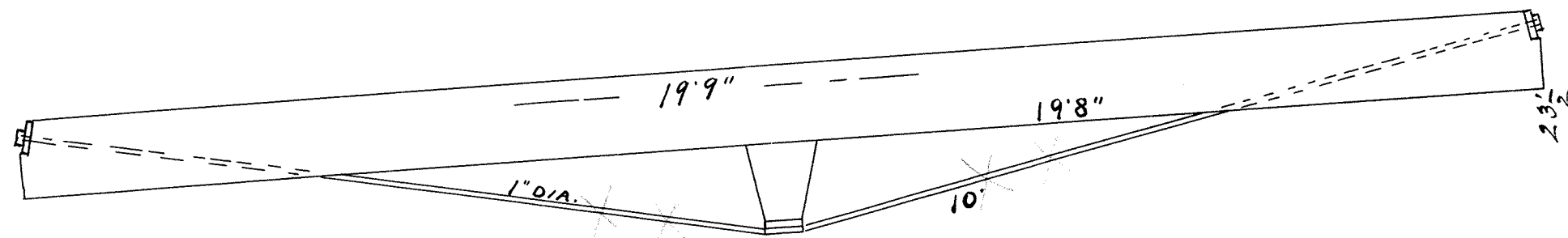
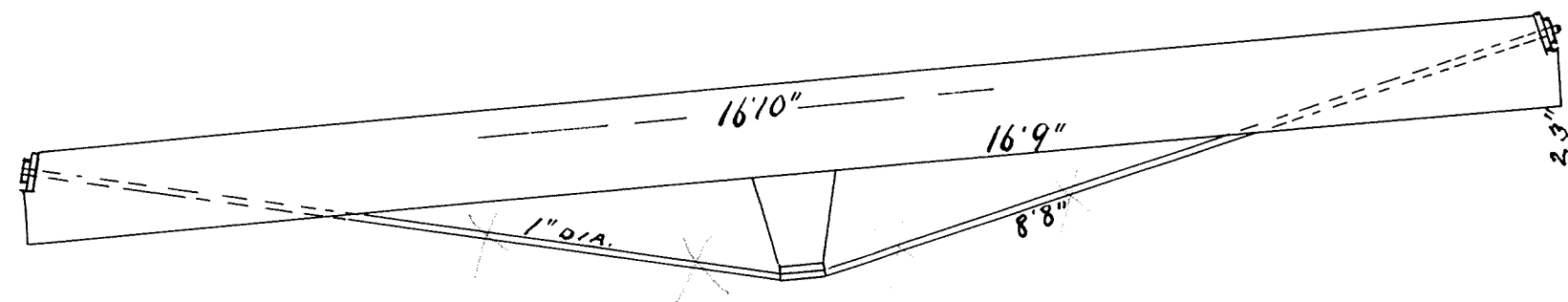


L71-R1



RISE AT WALL 26"

MAKE 2 OF EACH SIZE 12 IN ALL
" 8 PLATES 1" X 4" X 12" ONE HOLE IN CENTRE 1 5/8" DIA.
" 8 " " " " " " " " 1 3/8"

FOR
KANSAS CITY FREIGHT DEPOT.

1918